



OWNER'S MANUAL FOR THE PATIO SAUNA

CONGRATULATIONS! You are about to install the world's leading portable sauna. No other sauna manufacturer can offer you the features and owner support that Finnleo does. If you have any questions or concerns while installing or using your new sauna, the dealer you purchased your new sauna from can help. If not, we provide you with a toll free number (1-800-346-6536) for any assistance you may need.

INSTALLATION INSTRUCTIONS

WARNING: When using electrical sauna heaters and associated sauna products, basic precautions must be followed, including the following:

1. Grounding is required.
2. No electrical receptacle shall be installed in the sauna room.
3. Be sure rocks are placed in the heater according to the instructions in heater manual.
4. Do not tamper with the door or install a latching or locking system. Malfunction of which may cause entrapment inside the heated room.
5. Do not block ventilation openings. Vents must be kept free of obstruction so proper airflow is maintained in the sauna room. Do not stack anything in front of the vents or push the back of the room up tight to a wall surface.

HYPERTHERMIA: Prolonged exposure of the user in the sauna room is capable of inducing hyperthermia. Hyperthermia occurs when the internal temperature of the body reaches a level several degrees above the normal body temperature of 98.6°F. The symptoms of hyperthermia include an increase in the internal temperature of the body, dizziness, lethargy, drowsiness, and fainting. The effects of hyperthermia include:

- a) Failure to perceive heat
- b) Failure to recognize the need to exit the room
- c) Unawareness of impending heat
- d) Fetal damage in pregnant women
- e) Physical inability to exit the room
- f) Unconsciousness

WARNING: The use of alcohol, drugs, or medication is capable of greatly increasing the risk of fatal hyperthermia.

ROOM ASSEMBLY

Your new portable sauna comes in two halves. The back half contains the benches, and the front half contains the door. Two or more people should do assembling the patio sauna.

Your sauna will arrive in two pieces. Each half can be slid or carried on a cart to the site of installation.

To begin assembly, place the halves with their open sides facing each other. You will notice that the 1-1/2" x 1-1/2" framing on the bottom has beveled cuts to easily fit into the other half. The tongue and groove paneling on the outside and inside of the walls will fit tightly when the two halves are pushed together (see figure 1). The ceiling panels have a foam gasket between them to create a tight seal.

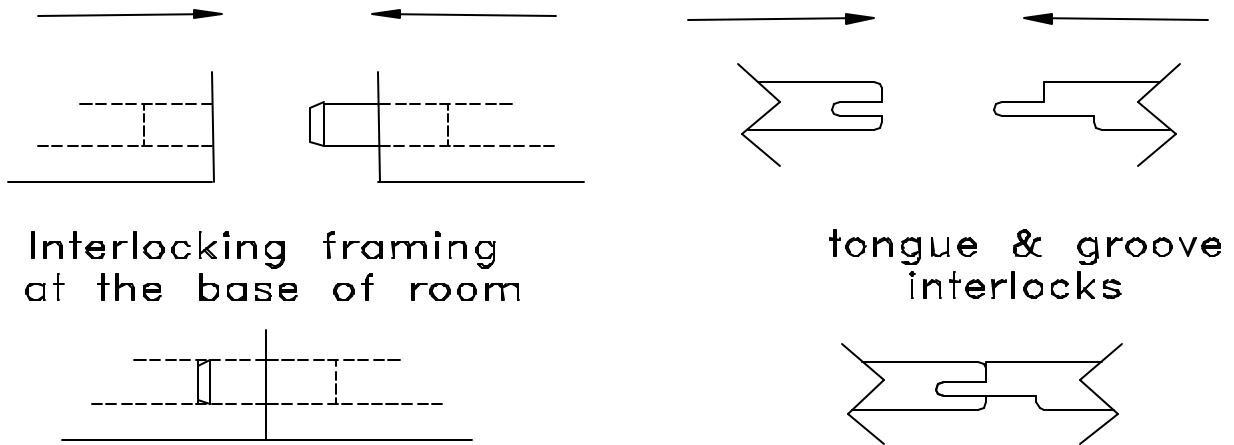


figure 1

The vertical framing on both the front and back halves have locking inserts (figure 2).

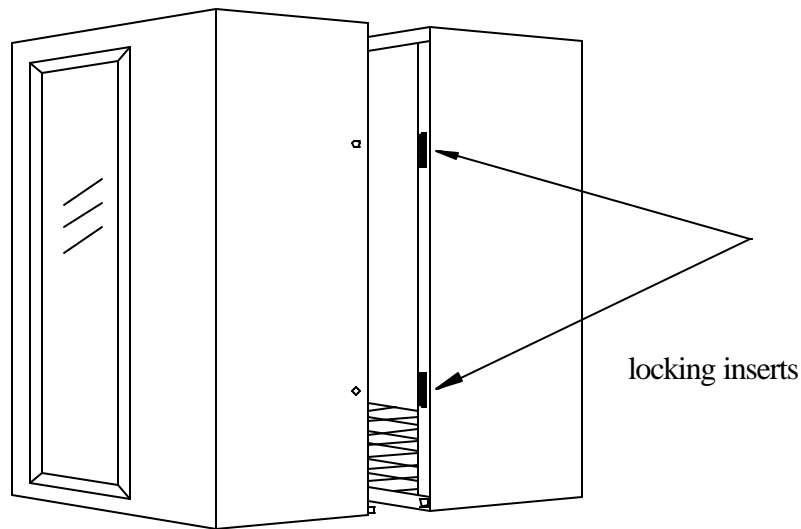


figure 2

The metal insert in the front half is called the locking point. It has a locking arm that pivots. The metal insert in the back half is called the strike. The locking arm will latch onto a pin in the strike when the two halves are fastened together. This is the "cam lock system". Before trying to fit the two halves together, be sure that the locking arm is retracted all the way into the insert. The locking arm should not be visible at this point (figure 3).

THE CAM LOCK SYSTEM

A

B

C

D

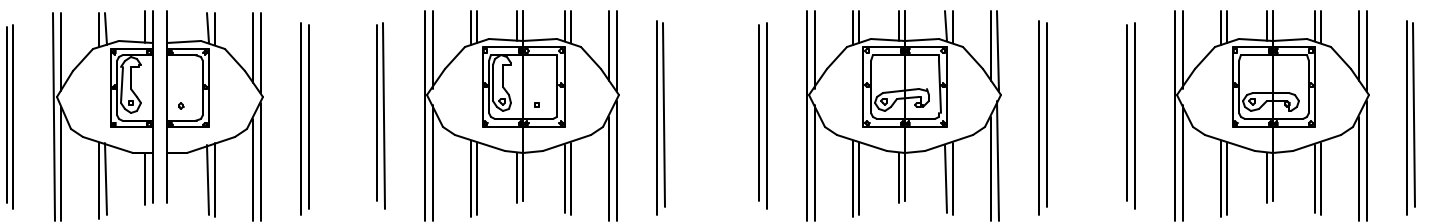


figure 3

To assemble the two halves, all interlocking joints must be lined up so they slide together as the two halves are pushed together. If assembling this unit alone, push the bench half against a wall to prevent sliding.

When the interlocking joints are lined up, carefully slide the two halves together watching so the tongues slide into the grooves. It is very important that all interlocking joints are lined up before attempting this. If not, the two halves will not go together.

Once the front and back halves are together, insert the Allen wrench provided into the hex shaped holes on the side of the room, and turn (see figure 2). The locking arm will pivot and catch the pin in the strike. The "cam lock system" not only latches, but also draws the two sections tight as they lock. Do this on all 4-cam latches (2 per side).

CONSTRUCTION DETAILS AND FEATURES

Your portable sauna walls are built with 1-1/2" framing, fiberglass insulation, and foil vapor barrier. This wall is then covered with tongue and groove wood paneling. Figure 4 shows a detail of the wall.

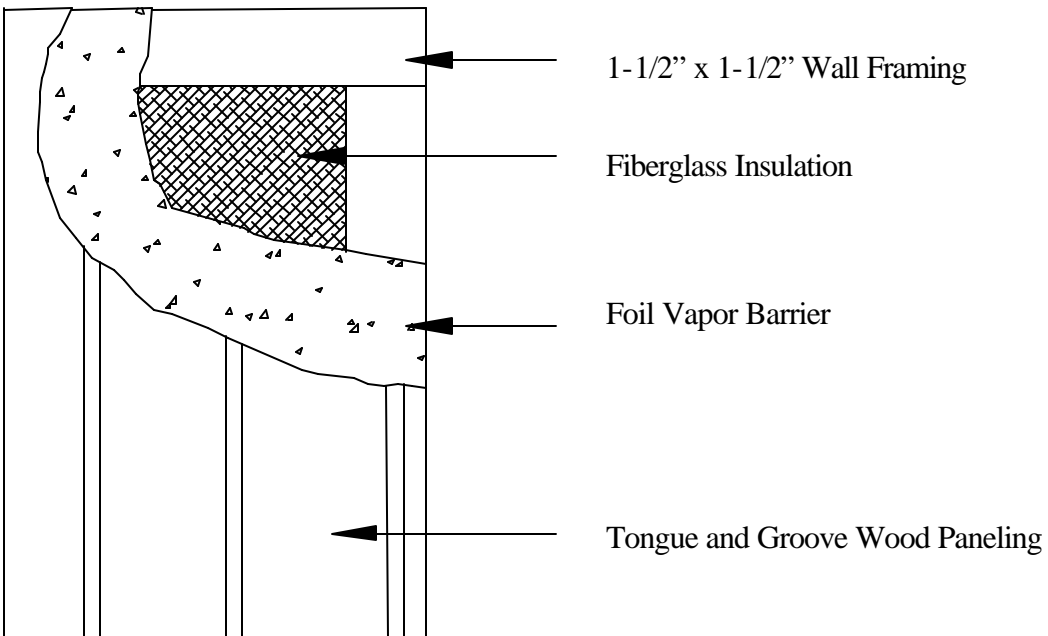
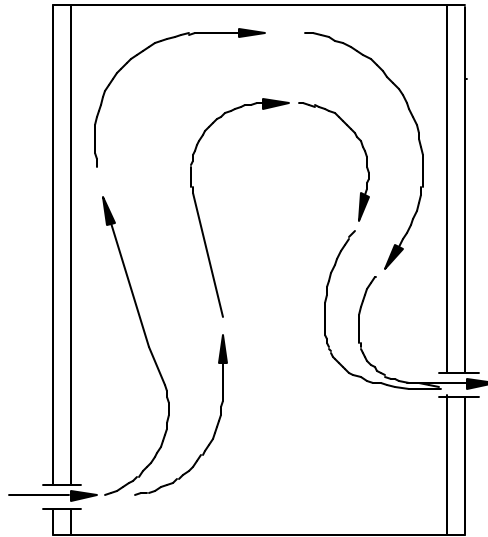


figure 4

Your sauna room has an integral natural airflow ventilation system. This ventilation system assures that there is sufficient fresh air in the sauna when it is in use (see figure 5). Fresh air will make your sauna experience more comfortable and enjoyable.

Intake Vent
Fresh air enters the sauna room through the vent below the heater.



Exhaust Vent

Exhaust air leaves the sauna room through a vent below the top bench and out through an opening in the back of the room.

figure 5

Note: The vents must be kept free from any obstruction so proper airflow is maintained in the sauna room. Do not stack anything in front of the vents or push the back of the room up tight to a wall surface.

SAUNA ROCKS

Use only the “olivine” sauna rocks provided with the heater. If other rocks are used, the warranty is void.

PLACING THE ROCKS

Remove the rock guard and rinse the rocks of residue prior to placing them into the heater. Place small or flat rocks around the outer perimeter of the heat chamber including the ends. Place large rocks loosely in between the heating elements. Fill the heat chamber with rocks until flush with the top of the elements. Next, add one loose layer of large rocks to cover elements. When the rocks are in place, refasten the rock guard. There may be extra rocks provided.

The concept of rock placement is to promote good airflow through the heater.

Never operate the heater without rocks.

The normal heat-up time is about 45 minutes. It should reach approximately 140-150 degrees in this time. If preheated for an hour, it should reach 160-170 degrees. Try your sauna at various temperatures and humidity levels (adjust humidity by sprinkling water on the heated rocks). The sauna experience is best when adjusted to personal comfort levels.

ROOM FINISH

Do not paint or varnish any wooden surface in the interior of the sauna. No protective finish of the interior wood is required.

OUTDOORS APPLICATION

The exterior of the sauna needs to be treated with a weather protector, such as, paint, or stain. Also, if sauna is placed outdoors, it must have a roof kit to protect the sauna ceiling or place the sauna under a patio cover.

Heat up times is based on sauna room starting around 70 degrees Fahrenheit. Cooler starting temperatures will increase the length of heat up time.

Note: External controls for heaters are suggested for sauna rooms in a cold climate.

USER MAINTENANCE INSTRUCTIONS

Instructions for Cleaning:

Sweat and dirt may absorb into the wood, so periodic cleaning is needed. Scrubbing the benches, floorboards, and door handles with a stiff brush and mild detergent is normally sufficient. Light sanding is another option.

CAUTION: Do not clean the heater while the heater circuit is energized or the heater rocks are hot. Once each year, the rocks need to be inspected, cleaned and/or replaced.

WARNING: A licensed electrician should do any service performed on the unit.

